

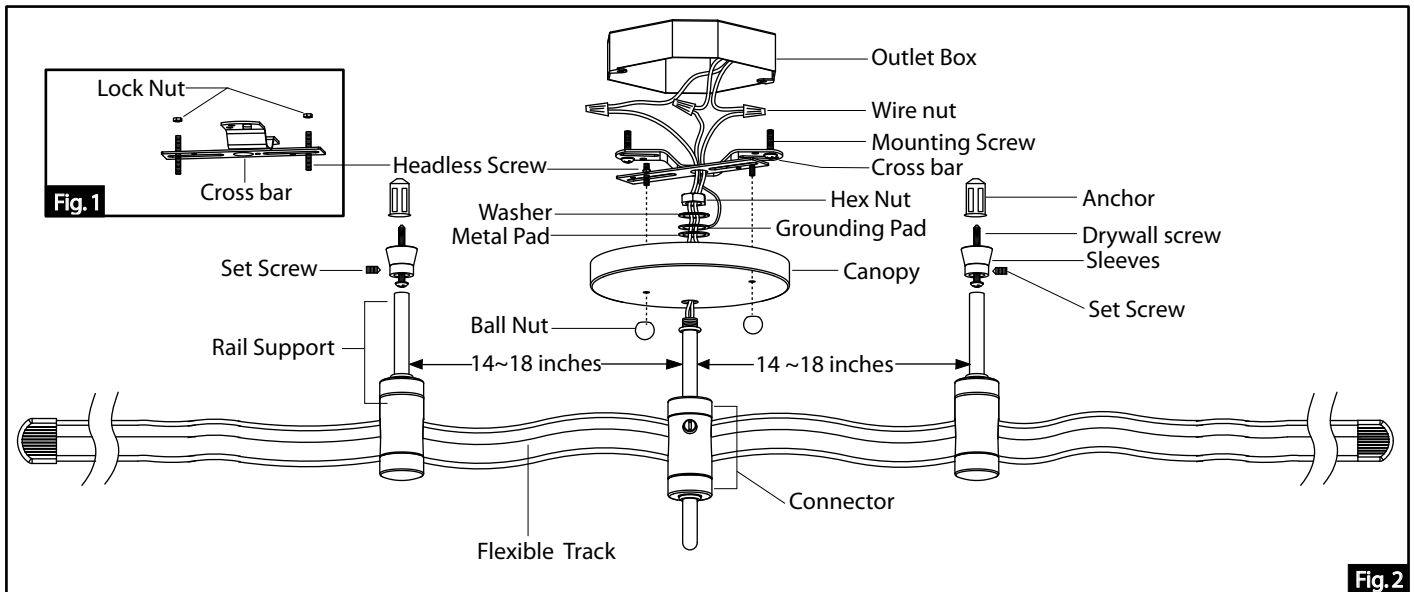
ASSEMBLY AND INSTALLATION INSTRUCTIONS

(Track Light Sold Separately)

CB31455 / C0009

WARNING: BE SURE TO SHUT OFF POWER AT THE MAIN FUSE OR CIRCUIT BREAKER BOX BEFORE INSTALLING OR SERVICING THIS FIXTURE.

**NOTE: 1. Before installing, consult local electrical codes for wiring and grounding requirements.
2. Please read these instructions carefully before installing this fixture. If you are not familiar with installations, please consult a qualified electrician.**

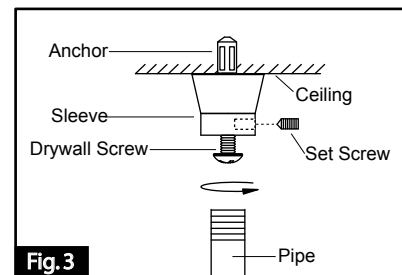


Canopy installation:(See Fig. 2)

1. Thread the fixture wires, grounding wire and pipe through the central hole of the canopy, and then secure it with a metal pad, grounding pad, washer and hex nut.
(NOTE: Adjust the position of the pipe to make sure the connector is vertical to the center of the canopy for the best electric contact.)
2. Attach two headless screws to the cross bar and secure them with two lock nuts. (See Fig.1)
NOTE: Adjust the length of the headless screws by using the lock nuts if necessary.
3. Attach the cross bar to the outlet box, and then secure it with two mounting screws.
4. Make wire connections with wire nuts:
 - The black wire from connector to the black wire from power source.
 - The white wire from connector to the white wire from power source.
 - The ground wire to the house ground wire from power source.Carefully tuck the wires into the outlet box.
5. Attach the canopy to the cross bar by inserting the headless screws, and then secure it with two ball nuts.

Rail support and Flexible track installation:

1. Mark two desired positions and drill them on the ceiling for two rail supports on the side of the canopy. (See Fig. 2)
(NOTE: Center the canopy between two rail supports and The distance between each rail support and the canopy is 14 ~ 18 inches. So the remainder length of the flexible track could be bent to a wonderful arc.
2. Unscrew the sleeves from the rail supports. Attach two anchors to the drilled positions and secure sleeves by threading two drywall screws into the anchors. Then thread the pipe of rail supports into the sleeves tightly. (See Fig.3)



3. Attach the flexible track onto any of the two rail supports on the side of the canopy.

NOTE: a: The ground tab of the flexible track must point to the ceiling.
 b: The brass tab-1 on the flexible track must face you as shown in Fig 4 and Fig 5).

- Unscrew the both caps from the rail support and then separate it.
- Attach the flexible track onto the slot of the main part of the rail support.
- Put both halves of the rail support back together and screw the caps back to the rail support tightly.

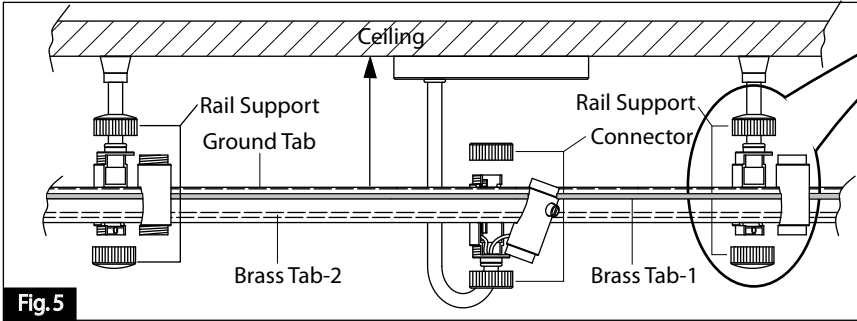


Fig. 5

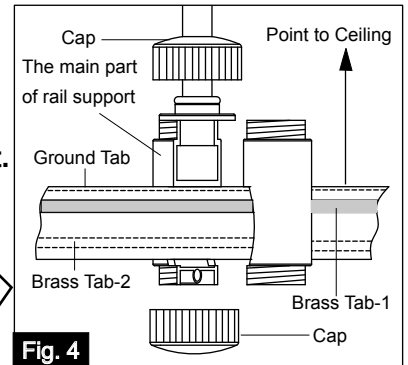


Fig. 4

4. Unscrew the caps from the connector beneath the canopy and then separate the connector. (See Fig 6)

CAUTION: BE CAREFUL NOT TO SNAP THE WIRE WHEN SEPARATING THE CONNECTOR, THIS WILL CAUSE THE WIRE TO DISCONNECT.

5. Attach the flexible track onto the slot of the connector. (See Fig 7) The brass clips of the connector must be connected with the brass tabs and ground tab of the track. (See Fig 8) **(CAUTION: To ensure the light works, correctly make sure the connection of the connector and the flexible track is correct.)** Attach both halves of the connector together and then screw the caps and plastic screws on tightly.

6. Attach the flexible track onto the slot of the other rail support placed in the other side of the canopy on the ceiling. Connect both halves of the rail support together back. Then screw the caps on tightly. (See Fig 4 & Fig 5)

7. Shape the flexible track as you desire. Mark the desired positions and drill them on the ceiling for the rest of the rail supports. (See Fig 9-1 & Fig 9-2).

8. Repeat the rail supports installations as mentioned on the above step 2. (See Fig.3).Then repeat step 3 and step 6 to install the flexible track onto the rest of rail supports.

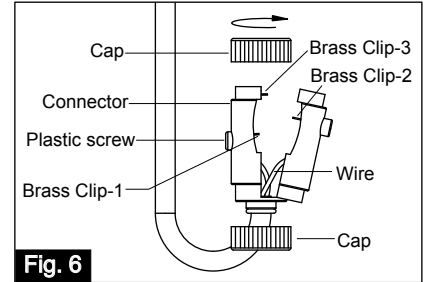


Fig. 6

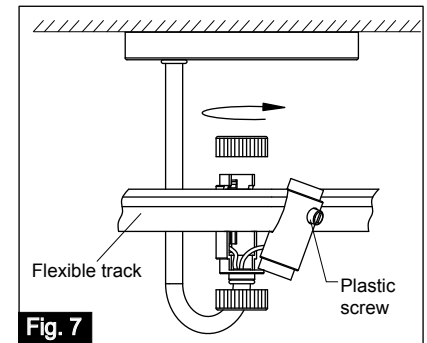


Fig. 7

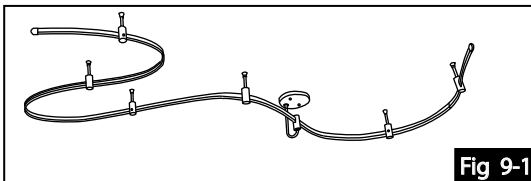


Fig 9-1

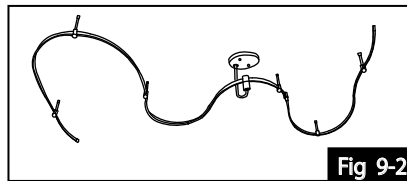


Fig 9-2

9. Tighten the headless screws completely when all rail supports are installed. (See Fig 3)

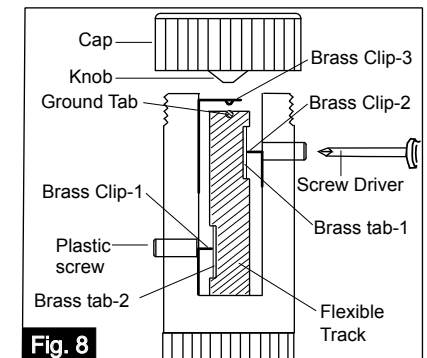


Fig. 8