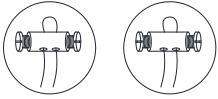
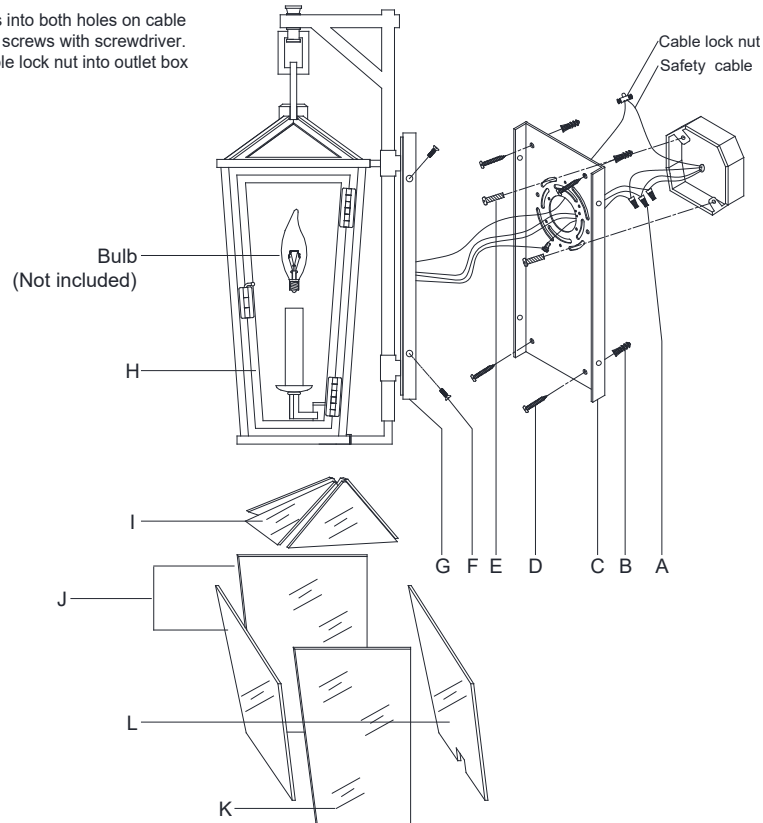


ASSEMBLY INSTRUCTIONS



TO assemble safety cables:

1. Join fixture safety cables with safety cable from wall.
2. Wrap both safety cable around the cable lock nut.
3. Insert screws into both holes on cable lock nut, secure screws with screwdriver.
4. Push the cable lock nut into outlet box.



Darlana Tall Bracketed Wall Lantern

Item # CHO 2086

WE RECOMMEND INSTALLATION OF THIS LIGHTING FIXTURE BE DONE BY A LICENSED ELECTRICIAN.

WARNING*SWITCH OFF THE MAIN ELECTRICAL SUPPLY FROM THE MAIN FUSE BOX/CIRCUIT BREAKER BEFORE INSTALLATION.**

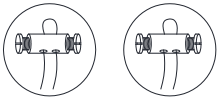
INSPECT ITEM CAREFULLY BEFORE ATTEMPTING TO INSTALL. IF THERE IS ANY DAMAGE OR OBVIOUS DEFECT. DO NOT INSTALL.

ITEM MAY NOT BE RETURNED ONCE IT HAS BEEN INSTALLED.

NOTE: CAREFULLY UNPACK EACH PIECE IN TOP LAYER OF PACKING PRIOR TO REMOVING. RETAIN ALL PACKING MATERIAL UNTIL INSPECTION AND INSTALLATION ARE FINAL.

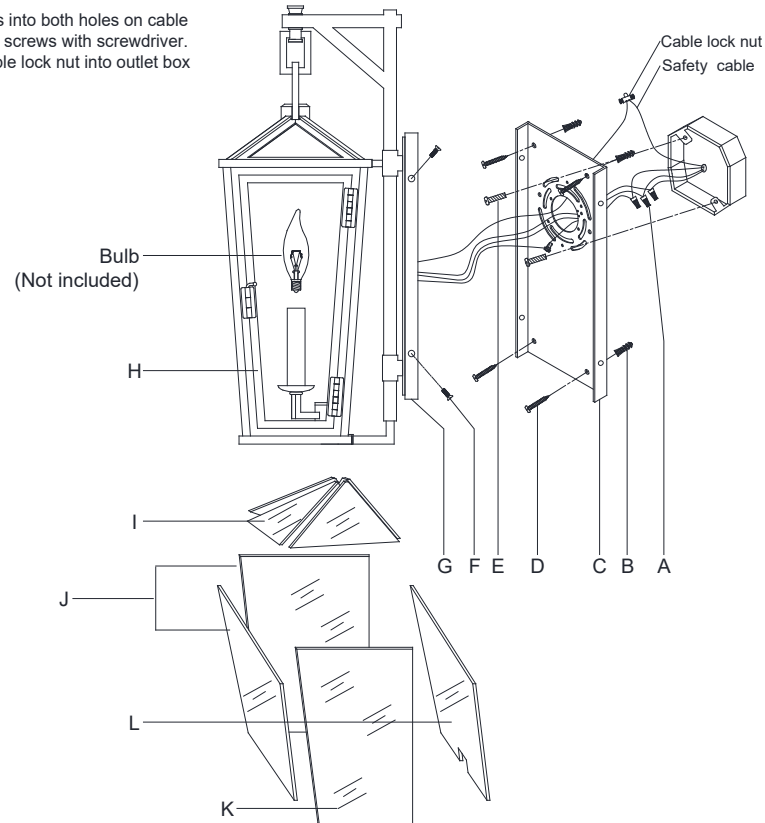
1. Carefully remove all parts from the box.
2. Remove the mounting plate (C) from the backplate (G) by unscrewing the side screws (F)..
3. Put the mounting plate (C) on the wall and mark the holes position with pencil (not included).
4. Drill 4 holes on the wall and knock the anchors (B) into the holes.
5. Install the mounting plate (C) to the junction box and secure with the mounting screws (E), then secure the wood screws (D) to the anchors (B) and lock tight.
6. Connect the safety cables as shown in figure.
7. Wrap the fixture ground wire to the green ground screw on the mounting plate (C) and secure, then connect to the ground wire in the junction box using the wire nut (A).
IT IS IMPERATIVE THAT THIS FIXTURE BE GROUNDED.
8. Connect the fixture white wire to the neutral wire in the junction box using the wire nut (A).
9. Connect the fixture black wire to the hot wire in the junction box using the wire nut (A).
DO NOT REVERSE THE HOT AND NEUTRAL CONNECTIONS OTHERWISE SAFETY WILL BE COMPROMISED.
10. Install the backplate (G) to the mounting plate (C) and secure with the side screws (F).
11. Place the glass panel (L) on the back of the fixture frame (H) and secure it by bending the metal tabs.
12. Place the glass panel (J) on the side of the fixture frame (H) and secure it by bending the metal tabs.

ASSEMBLY INSTRUCTIONS



TO assemble safety cables:

1. Join fixture safety cables with safety cable from wall.
2. Wrap both safety cable around the cable lock nut.
3. Insert screws into both holes on cable lock nut, secure screws with screwdriver.
4. Push the cable lock nut into outlet box.



Darlana Tall Bracketed Wall Lantern

Item # CHO 2086

WE RECOMMEND INSTALLATION OF THIS LIGHTING FIXTURE BE DONE BY A LICENSED ELECTRICIAN.

WARNING*SWITCH OFF THE MAIN ELECTRICAL SUPPLY FROM THE MAIN FUSE BOX/CIRCUIT BREAKER BEFORE INSTALLATION.**

INSPECT ITEM CAREFULLY BEFORE ATTEMPTING TO INSTALL. IF THERE IS ANY DAMAGE OR OBVIOUS DEFECT. DO NOT INSTALL.

ITEM MAY NOT BE RETURNED ONCE IT HAS BEEN INSTALLED.

NOTE: CAREFULLY UNPACK EACH PIECE IN TOP LAYER OF PACKING PRIOR TO REMOVING. RETAIN ALL PACKING MATERIAL UNTIL INSPECTION AND INSTALLATION ARE FINAL.

13. Place the glass panels (I) on the top of the fixture frame (H) and secure it by bending the metal tabs.

PLEASE NOTE: RUBBER GASKET ON TOP GLASS MUST STAY IN PLACE BETWEEN GLASS AND FIXTURE FRAME IN ORDER FOR ITEM TO BE PROPERLY PROTECTED FROM WATER. DO NOT REMOVE.

14. Place the glass panel (K) on the side of the fixture frame (H) and secure it by bending the metal tabs.
15. Insert bulbs (not included) into the sockets.
16. With silicone caulking compound, caulk completely around where back of backplate meets the wall surface to prevent water from seeping into the junction box.
17. Installation is complete, turn on power at fuse or circuit breaker.

***Clean with a dry, soft cloth only. Use no harsh abrasives or chemical agents.