

WarmRain Specification for model:
B 4038 Shower Base



Warm Rain model B 4038 shower base fixtures are constructed of reinforced polyester resin covered with a high gloss gel-coat of 18 - 20 mil. thickness. The reinforced fiberglass has a minimum content of 18 % fiberglass.

The bottom base of the unit is constructed of 1/2" end-grained balsa wood sandwiched between 2 layers of reinforced fiberglass at a content of no less than 18%. The base is an integral part of the unit.

The inside bottom floor will be textured. The texture bottom floor meets and exceeds ASTM Safety Specification F-462.

The unit will measure 40" x 38" x 6.5" and has a 3" front outside threshold with a 1.5" inside dam.

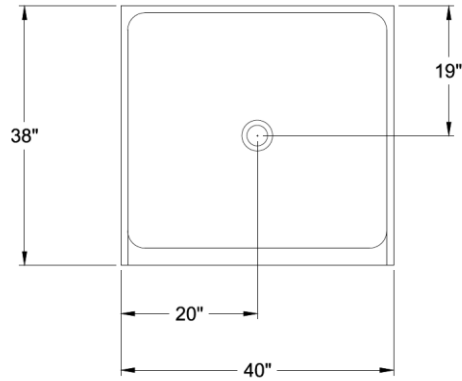
The B 4038 is available with the Above Floor rough-in. Please see Measurement Sheet B 4038 AFR for more specific measurements.

The front apron of all units will have wood support along the entire length to help prevent the corners from chipping or bowing in or out.

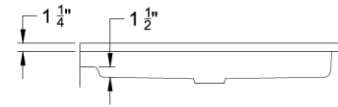
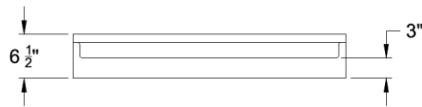
These Warm Rain showers arrive on site fully tested, inspected, and certified to meet or exceed the precise standards established by FHA/HUD, materials bulletin 73, American National Standards Z-124.1 and Z-124.2, ASTM/E-84 and is certified by the National Association of Home Builders NAHB.



WarmRain Specification for model:
B 4038 Shower Base



B-4038



5-24-16

