



H 350/1

Friendly™ Shower



BUILDING CODES MET & EXCEEDED

- 1991 Fair Housing Act
- ANSI Z124.1.2 - 2005
- ASTM E-F-462 (Slip Resistance)
- ASTM E-84 Class "C" Rating
 - Class "B" rating available
- HUD's UM Bulletin # 73a and 73b
- FmHA
- UFAS & ABA
- ASTM D-2583 (Barcol Hardness)

SPECIFICATIONS

H 350 (RH plumbing - seat on left) and H 351 (LH plumbing - seat on right)

Warm Rain Models H 852 & H 853 shower fixtures are constructed of reinforced polyester resin covered with a high gloss sanitary-grade gelcoat of 18-20 mil. thickness. The reinforced fiberglass includes a minimum content of 18% fiberglass.

The bottom base of the unit is constructed of 1/2" end-grained balsa wood sandwiched between two layers of reinforced fiberglass at a content no less than 18%. The base is an integral part of the unit.

The outside dimensions of this unit will measure 48" L x 36" W x 81.5" H.

The bottom floor is a textured bottom floor.

STANDARD PACKAGES

H 350-A & H 351-A

Models include Grab Bars

The grab bars will be factory installed, the grab bars will be 1.5" outside diameter ADA compliant stainless steel bars. One 24" vertical grab bar will be placed 40" above the floor and 10" from the front of the unit on the wet wall. One 12" grab bar on the back wall will be placed 34.5" above the floor.

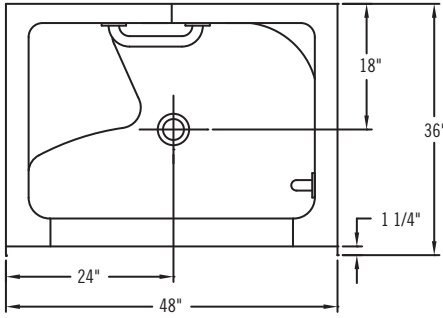
H 350-C & H 351-C

Models include Grab Bars, Fold-Up Seat, Pressure Balance Valve, Hand held Shower with Slide Bar, Vacuum Breaker, & Curtain Rod with Hangers

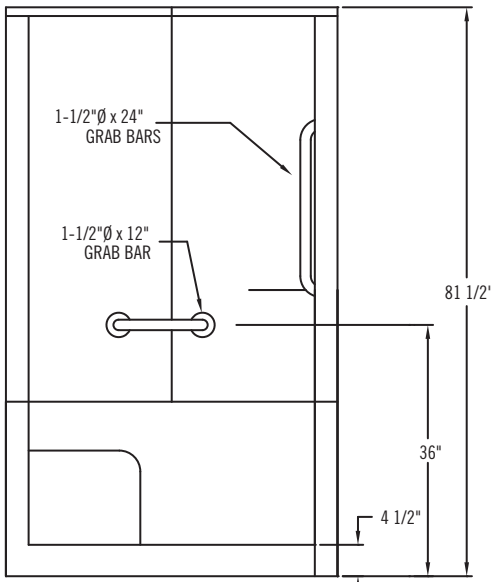
One 24" vertical grab bar will be placed 40" above floor and 10v" from the front of the unit on the wet wall. One 12" grab bar on the back wall will be placed 34.5" above the floor. One Symmons Allura Valve & Kit model # S4700-T-300B-30-V-X will include a Allura S4700 pressure balance valve with integral service stops, hand held shower with 30" bar, Vacuum breaker. Also, one Seachrome 5' curtain rod with hangers and Oatey solid brass drain model # 42150 will be included.

H 350/1

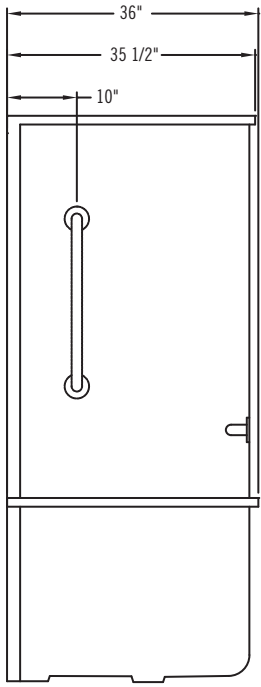
Friendly™ Shower



TOP



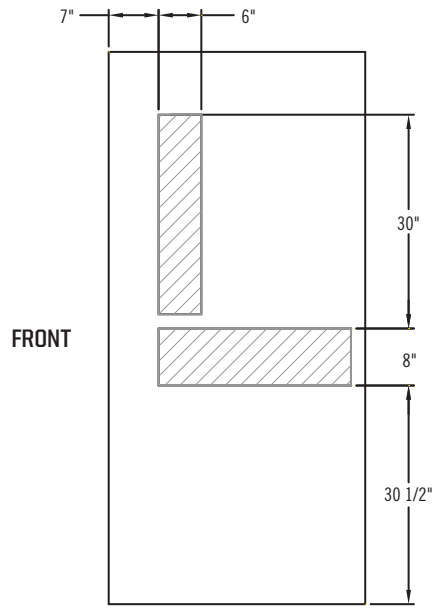
FRONT



SIDE

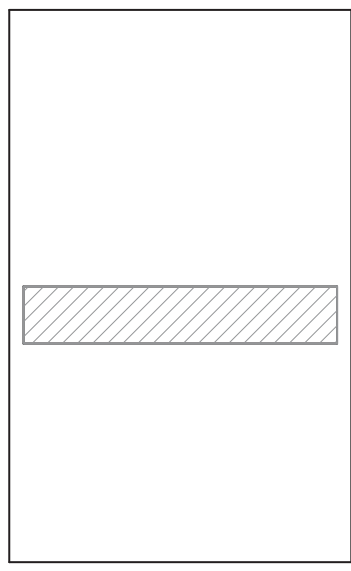
REINFORCEMENTS

1/2" plywood completely encased by FRP for field installation of grab bars and fold-up seat



FRONT

PLUMBING SIDE



BACK

OUTSIDE THRESHOLD

