

WarmRain Specification for model:

WR 612WP (right hand plumbing) and WR 613WP (left hand plumbing) Whirlpools
The Melissa



Warm Rain Melissa model WR 612WP (right hand plumbing) and WR 613WP (left hand plumbing) whirlpool tubs are constructed of reinforced polyester resin covered with a high gloss gel-coat of 18 - 20 mil. thickness. The reinforced fiberglass has a minimum content of 18 % fiberglass.

The bottom base of the unit is constructed of 1/2" end-grained balsa wood sandwiched between 2 layers of reinforced fiberglass. The base is an integral part of the unit.

The inside bottom floor will be textured. The texture bottom floor meets and exceeds ASTM Safety Specification F-462.

The unit will measure 60" x 36" x 19.25" and has an 18" front outside apron height. The inside dam will measure 16.75" and the overflow will be 15" above the floor.

The inside sump area will measure 55" x 25.5" at the top of the well and 43" x 21" at the bottom of the well.

The Melissa is available with the Above Floor rough-in. Please see Measurement sheet WR 612-3 AFR for more specific measurements.

The whirlpool system includes the following:

- 1 HP NuWhirl Hercules II self-draining pump with a plug and located opposite the drain
 - 120 Volts
 - 7 AMP
 - 60Hz
- 5 - color coded (white, Biscuit/Linen, Almond/Bone) jets strategically located throughout the tub
- 1 - Pneumatic On/Off Switch
- 1 - Silent air control
- Trim
 - Color coded in white, almond/bone, biscuit/linen
 - Chrome trim in all other colors

Whirlpool options include:

- HydroQuip HeatMaster T-Heater (separate dedicated electrical circuit needed)
 - 120 Volts
 - 12.0 AMP
 - 60 Hz
- Vari-flow pump – allows the end user infinite speed control

Warm Rain Corporation, P.O. Box 600, Hancock, MI 49930

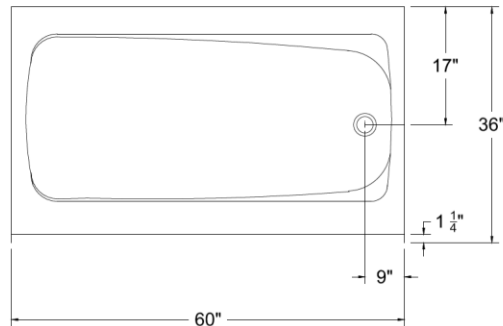
Voice: 906-482-3750 Fax: 906-482-2585 email: tedk@warmrain.com website: www.warmrain.com

WarmRain Specification for model:

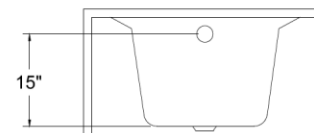
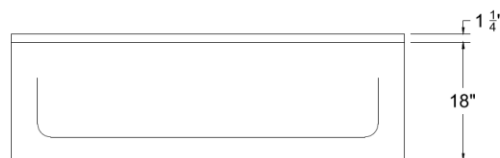
WR 612WP (right hand plumbing) and WR 613WP (left hand plumbing) Whirlpools
The Melissa

- 1 – Optional pump position
- whirlpool/air tub combination system
- Chrome Trim
- Brushed Nickel Trim

These Warm Rain whirlpool tubs arrive on site fully tested, inspected, and certified to meet or exceed the precise standards established by FHA/HUD, materials bulletin 73, American National Standards Z-124.1 and Z-124.2, ASTM/E-84 and is certified by the Home Innovation Research Labs, formerly known as the National Association of Home Builders NAHB.



WR 612-3



7-14-16



Warm Rain Corporation, P.O. Box 600, Hancock, MI 49930

Voice: 906-482-3750 Fax: 906-482-2585 email: tedk@warmrain.com website: www.warmrain.com