

INSTALLATION AND SAFETY INSTRUCTIONS

FOR YOUR SAFETY WARNING

BE SURE THE ELECTRICITY TO THE WIRES YOU ARE WORKING ON IS SHUT OFF; EITHER THE FUSE IS REMOVED OR THE CIRCUIT BREAKER IS SHUT OFF. GENERAL You don't need special tools to install this fixture. Be sure to follow the steps in the order given. Under no circumstances should a fixture be hung on house electrical wires, nor should a swag type fixture be installed on a ceiling which contains a radiant type heating system. Read instructions carefully. If you are unclear as to how to proceed, consult a qualified electrician. NOTE: Proper wiring is essential for the safe operation of this fixture.

GENERAL

You don't need special tools to install this fixture. Be sure to follow the steps in the order given. Under no circumstances should a fixture be hung on house electrical wires, nor should a swag type fixture be installed on a ceiling which contains a radiant type heating system. Read instructions carefully. If you are unclear as to how to proceed, consult a qualified electrician. NOTE: Proper wiring is essential for the safe operation of this fixture.

FIXTURE ASSEMBLY

Carefully remove the fixture from the carton and check that all parts are included as shown in figure. Be careful not to misplace any of the screws or parts, which are needed to install this fixture.

STEP 1: Thread end of the stem (M) into nipple (N) and other end of the stem (M) into coupling (L).

STEP 2: Place the arms (P) for end of the bend hole is aligned with the hole on the inside of the steel ring (Q) and secure with the ball screw (O), the place the arms (P) other end of the hole is aligned with the hole on the outside of the steel box (K) and secure with the ball screw (O).

INSTALLATION

IMPORTANT: Do not attach fixture directly to outlet box.

STEP 1: Secure cross bar (A) to outlet box with outlet box screws (B). Thread nut (D) onto nipple (E). Insert lock washer (C) and thread the nipple (E) onto mounting bar (A), then secure with the nut (D).

STEP 2: Thread screw collar ring (G) onto nipple (E). Slide screw collar ring (G) and canopy (F) over screw collar ring (G). Using a pair of pliers, open the chain link (H) and chain link (J) connect it to collar ring (G), chain (I) and fixture loop (K). Close the chain link (H) & (J).

BE SURE TO CLOSE ALL CHAIN LINKS COMPLETELY.

STEP 3: Lace wires up through chain (H) and pass wires through holes in screw collar ring (G). We recommend lacing wire up through every other link of chain (I).

GROUNDING INSTRUCTIONS

STEP 1: Insert the green grounding screw into the hole with two raised dimples on the mounting bar. Wrap the ground wire from the fixture (if supplied) around the green grounding screw, then connect it to ground wire from the outlet box (if not fixed on the outlet box) using a wire connector (not supplied). If ground wire from the fixture is not supplied, wrap the ground wire (if not fixed on the outlet box) from the outlet box around the green grounding screw and tighten it.

NEVER CONNECT GROUND WIRE TO BLACK OR WHITE POWER SUPPLY WIRES.

STEP 2: Take note of the color of the wire(s) on your fixture.

Identify which group your fixture wire(s) falls into and connect the wires according to the directions below:

| | |
|--------------------------------------|--------------------------------------|
| GROUP A: Connect to Black House Wire | GROUP B: Connect to White House Wire |
| BLACK | WHITE |
| *PARALLEL WIRE (round & smooth) | *PARALLEL WIRE (square & ridged) |
| WHITE OR GREY WITH TRACER | WHITE OR GREY WITHOUT TRACER |
| BROWN GOLD OR BLACK WITHOUT TRACER | BROWN, GOLD OR BLACK WITH TRACER |

*NOTE: When parallel wire (SPT-1 & SPT-2) is used, the tracer

wire is square shaped or ridged and the less tracer wire is round in shape or smooth (seen best when viewed from wire end.)

STEP 3: Take your fixture wire(s) from group A and place evenly against the black wire from the outlet box. Do NOT twist wires together before using wire connectors.

STEP 4: Fit a wire connector (not supplied) over the wires and screw the connector clockwise until you feel firmness.

STEP 5: Try gently to pull the connector off the wires. If you can pull the connector off, carefully re-do steps 3 and 4 as above, and check again for a firm connection.

STEP 6: Connect the fixture wire from group B to the white wire from the outlet box in the same manner. Make sure no bare wires can be seen outside wire connectors.

FINAL ASSEMBLY

STEP 1: After wires are connected, tuck them carefully inside outlet box. Raise canopy (F) allowing for nipple (E) to protrude through the holes on canopy (F), and secure with screw collar ring (G).

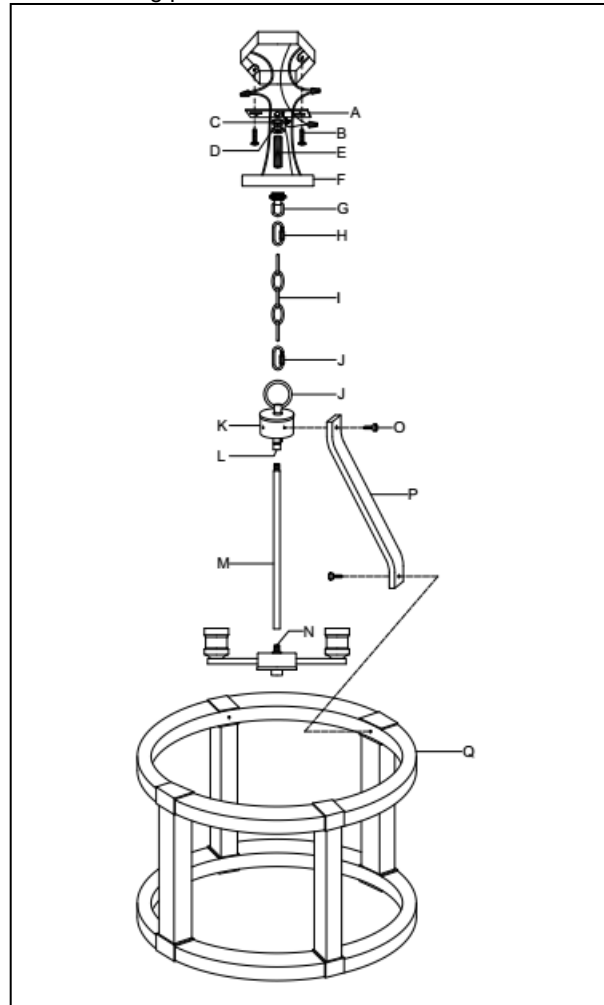
STEP 2: Install light bulbs. (Please do not exceed the maximum capacity recommended on the socket.)

CLEANING

To clean, wipe fixture with a soft cloth. Clean glass with a mild soap. Do not use abrasive materials such as scouring pads or powders, steel wool or abrasive paper.

ORDERING PARTS

Keep this sheet for future reference, and in case you need to order replacement parts. Be sure to use exact wording from illustration when ordering parts.



Line art shown may not exactly match the fixture enclosed. However, the installations do apply to this fixture. ITEM NO:472-5D 472-6D