

INSTALLATION INSTRUCTIONS

Model 521B

FOR YOUR SAFETY WARNING: BE SURE THE ELECTRICITY TO THE WIRES YOU ARE WORKING ON IS SHUT OFF; EITHER THE FUSE IS REMOVED OR THE CIRCUIT BREAKER IS SHUT OFF. GENERAL You don't need special tools to install this fixture. Be sure to follow the steps in the order given. Under no circumstances should a fixture be hung on house electrical wires, nor should a swag type fixture be installed on a ceiling which contains a radiant type heating system. Read instructions carefully. If you are unclear as to how to proceed, consult a qualified electrician.

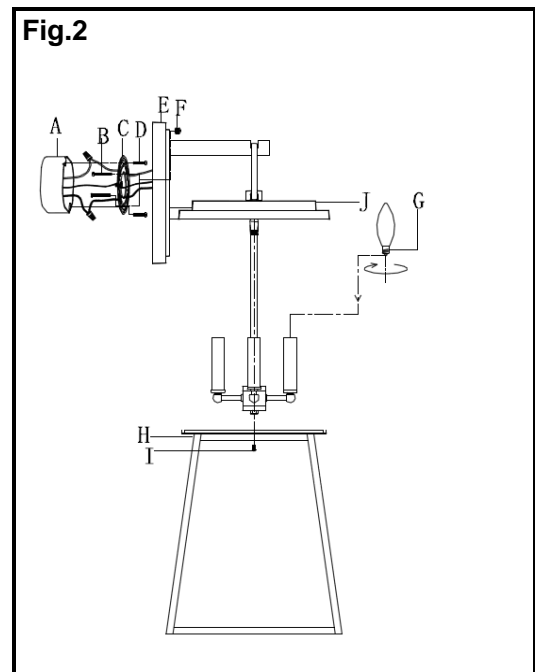
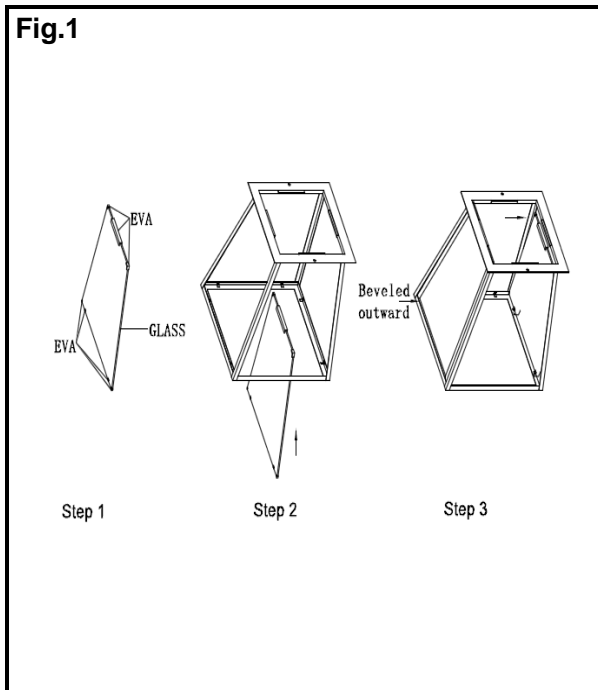
NOTE: Proper wiring is essential for the safe operation of this fixture.

INSTALL GLASS (Fig. 1)

1. Shut off the power at the circuit breaker and remove the old fixture, including the mounting hardware.
2. Carefully unpack your new fixture and lay out all the parts on a clear area. Take care not to lose any small parts necessary for installation.
3. Install the glass panel into cage
Step 1: Place EVA Pad on the glass which show as Fig.1
Step 2: Put the glass from bottom cage to top
Step 3: Hold the glass by glass clip

HANGING THE FIXTURE (Fig. 2)

4. Thread the 2 mounting screws (B) into the mounting plate (C) spaced the same distance apart as the holes in the fixture back plate. (You can adjust the length of the screws if necessary.)
5. Attach the mounting plate (C) to the outlet box (A) (not supplied) with mounting screws (D). GND must face out.



CONNECTING THE WIRES (Fig. 3)

6. Connect the electrical wires as shown in Fig.2. Making sure that all wire connectors are secured. If your outlet box has a ground wire (green or bare copper), connect the fixture's ground wire to it. Otherwise, connect the fixture's ground wire directly to the circular strap using the green screw provided.

COMPLETING THE INSTALLATION (Fig.2)

7. Align the fixture (E) to mounting plate (C) and secure with cap nuts (F).
8. Install the bulb (E12 Candelabra base, not included.) in accordance
9. Attach the cage(H) to the roof(J) by screw (I).
10. To prevent moisture from entering the outlet box and causing a short, use clear caulking (i.e. Indoor/Outdoor Silicone Sealant) to outline the outside of fixture back plate where it meets the wall leaving a space at bottom to allow moisture a means to escape. (Fig. 3)

