

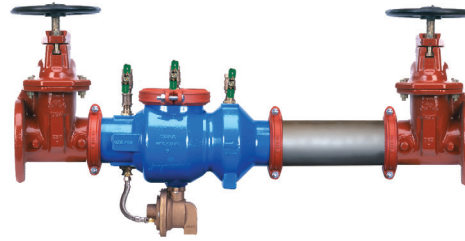


Model 375AR

Replacement Reduced Pressure Principle Assembly

Application

Designed for drop-in replacement of existing longer lay length assemblies without the need for additional spools or spacers, saving 2 to 6 hours of installation labor and up to 2 machine hours per backflow replacement. A custom sized grooved spool installed between the backflow body and downstream shut-off valve allows customer specified assembly lengths to be shipped directly from the factory. Designed for installation on potable water lines to protect against both backsiphonage and backpressure of contaminated water into the potable water supply. The Model 375AR provides protection where a potential health hazard exists.



PATENT NO. 8,997,772



LEAD FREE



Standards Compliance

- ASSE® Listed 1013
- AWWA Compliant C511 (with gates only), and C550
- IAPMO® Listed
- UL® Classified
- CSA® Certified
- C-UL® Classified
- FM® Approved
- Approved by the Foundation for Cross Connection
- Control and Hydraulic Research at the University of Southern California
- Meets the requirements of NSF/ANSI 61*
*(0.25% max. weighted average lead content)

Materials

Main valve body	Ductile Iron ASTM A 536
Access covers	Ductile Iron ASTM A 536
Coatings	NSF Approved electrostatic epoxy finish
Internals	Stainless steel, 300 Series NORYL™
Fasteners & Springs	Stainless Steel, 300 Series
Seal rings	EPDM (FDA approved)
O-rings	Buna Nitrile (FDA approved)
Sensing line	Stainless Steel, braided hose

Options

(Suffixes can be combined)

- with flanged end NRS gate valves (standard)
- MS - with Integral Relief Valve Monitor Switch
- OSY - with flanged end OS&Y gate valves
- PI - Post Indicator gate Valve
- 509 - with AWWA C509 gate valves

Accessories

- Repair kit (rubber only)
- OS & Y Gate valve tamper switch (OSY-40)
- Air gap (Model AG)
- QT-SET Quick Test Fitting Set

Features

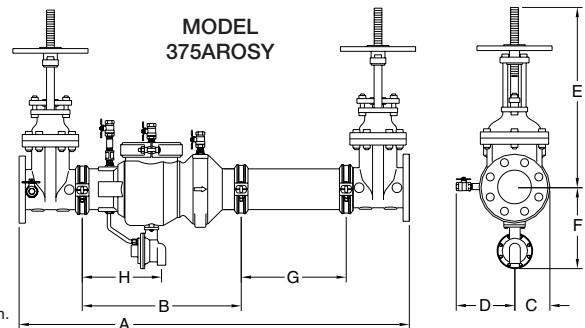
Sizes:	2 1/2", 3", 4", 6", 8", 10"
Maximum working water pressure	175 PSI
Maximum working water temperature	140°F
Hydrostatic test pressure	350 PSI
End connections - Flanged	ANSI B16.1 Class 125

*2 1/2" & 3" sizes use 4" body & reducer couplings

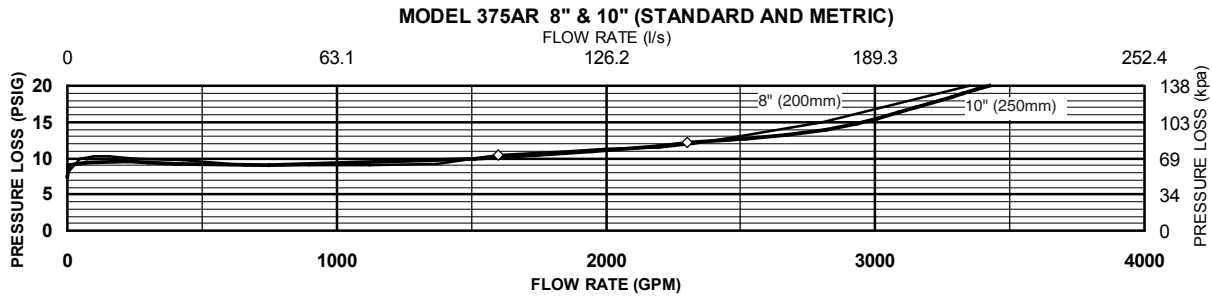
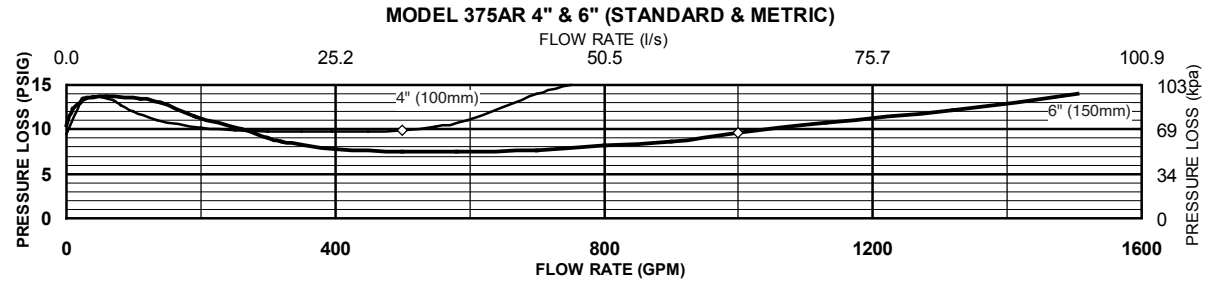
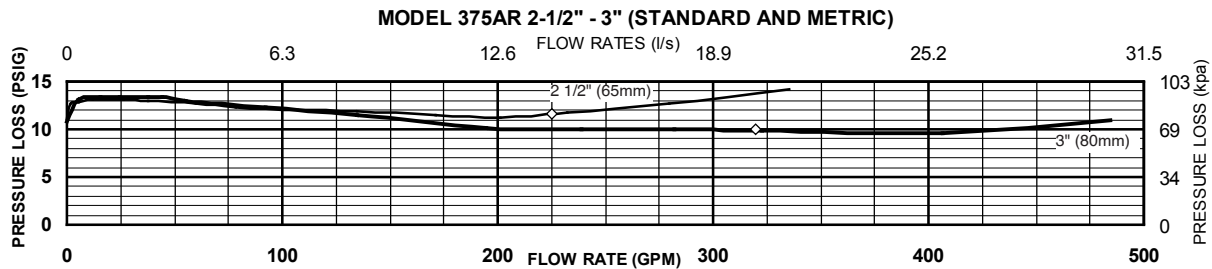
Dimensions & Weights (do not include pkg.)

MODEL 375AR SIZE	WEIGHT WITH MAX SPOOL LENGTH												
	NRS GATE VALVES FLANGED		NRS GATE VALVES GROOVED		OS&Y GATE VALVES FLANGED		OS&Y GATE VALVES GROOVED		BUTTERFLY VALVES FLANGED		BUTTERFLY VALVES GROOVED		
	in.	mm	lbs.	kg	lbs.	kg	lbs.	kg	lbs.	kg	lbs.	kg	
2 1/2	65	197	89	187	85	205	93	193	88	187	85	176	80
3	80	219	99	207	94	225	102	213	97	191	87	178	81
4	100	249	113	229	104	259	117	239	108	203	92	133	60
6	150	394	179	370	168	410	186	386	175	300	136	270	122
8	200	814	369	776	352	838	380	800	363	694	315	648	294
10	250	1106	502	1052	477	1164	528	1110	503	902	409	844	383

Relief Valve discharge port:
2 1/2" - 6" - 2.75 sq. in.
8" - 10" - 3.69 sq. in.



MODEL 375AR SIZE	DIMENSION (approximate)																												
	A WITH GATE VALVES				A WITH BUTTERFLY VALVES				B		C		D		E OS&Y OPEN		E OS&Y CLOSED		E WITH BUTTERFLY VALVES		F		G SPOOL LENGTH				H		
	in.	mm	in.	mm	in.	mm	in.	mm	in.	mm	in.	mm	in.	mm	in.	mm	in.	mm	in.	mm	in.	mm	in.	mm	in.	mm	in.	mm	
2 1/2	65	37 1/4	47 1/8	946	1197	34 1/4	44 1/8	870	1121	20 1/8	511	4 1/2	114	4 1/2	114	17 3/4	451	15 3/8	391	8 1/4	210	11	279	2 1/8	12	54	305	7 1/4	184
3	80	38 1/4	48 1/8	972	1222	34 3/4	44 5/8	883	1133	20 1/8	511	4 1/2	114	4 1/2	114	20 1/4	514	17	432	8 1/2	216	11	279	2 1/8	12	54	305	7 1/4	184
4	100	40 1/2	62 1/4	1029	1581	35 3/4	57 1/2	908	1461	19 7/8	505	4 1/2	114	4 1/2	114	22 1/2	572	18 1/4	464	9	229	11	279	2 1/4	24	57	610	8	203
6	150	49 1/2	71 1/4	1257	1810	42 1/2	64 1/4	1080	1632	25 7/8	657	5 1/2	140	5 1/2	140	30 1/2	775	24 1/4	616	10 1/4	260	12 3/8	314	2 1/4	24	57	610	10	254
8	200	64 7/8	86	1648	2184	57 7/8	79	1470	2007	38 1/2	978	10	254	10	254	37	940	28 1/2	724	12	305	15 3/8	391	2 7/8	24	73	610	11	279
10	250	67 3/8	100 5/8	1711	2556	61 7/8	94 5/8	1572	2403	38 1/2	978	10	254	10	254	45 5/8	1159	34 3/4	883	13	330	15 3/8	391	2 3/4	36	70	914	12	305



Typical Installation

Local codes shall govern installation requirements. Unless otherwise specified, the assembly shall be mounted at a minimum of 12" (305mm) and a maximum of 30" (762mm) above adequate drains with sufficient side clearance for testing and maintenance. The installation shall be made so that no part of the unit can be submerged.

Order Configuration

- Exact in field measurements are required when ordering the assembly. Please have the assembly length ready when ordering.
- All assemblies are custom made to order and all sales are final.
- Lead time is approximately one week.

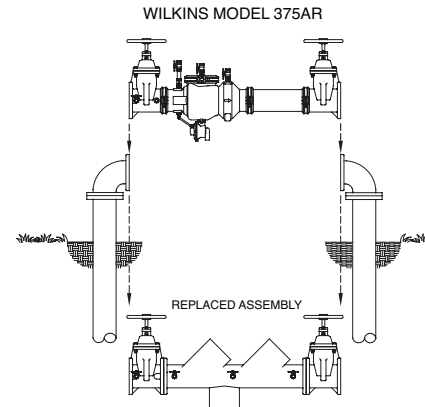
Generic part number used for ordering:

X-375AR*-Y

where X= NOMINAL VALVE SIZE (212 REPRESENTS 2-1/2")
 Y= ASSEMBLY LENGTH SUFFIX: choose A-C from table at right (exact in field measurements must be given to customer service representative)
 *= ADDED OPTIONS (use suffixes designated in OPTIONS section on previous page)

Example

To order a 4" Model 375AR with OS&Y gate valves and an assembly length of 52 3/8", the part number would be 4-375AROSY-B. The length of 52 3/8" would be given to Customer Service.



NPS	ASSEMBLY LENGTH SUFFIX					
	A		B		C	
	From	To	From	To	From	To
2-1/2"	37 1/4"	47 1/8"				
3	38 1/4"	48 1/8"				
4	40 1/2"	50"	50 1/16"	62 1/4"		
6	49 1/2"	59"	59 1/16"	71 1/4"		
8	64 7/8"	74"	74 1/16"	86"		
10"	67 3/8"	77"	77 1/16"	89"	89 1/16"	100 5/8"

Specifications

The Reduced Pressure Principle Backflow Prevention Assembly shall be Certified to NSF/ANSI 61, ASSE® Listed 1013, and supplied with full port gate valves. The main body and access cover shall be epoxy coated ductile iron (ASTM A 536), the seat ring and check valve shall be NORYL™, the stem shall be stainless steel (ASTM A 276) and the seat disc elastomers shall be EPDM. The checks and the relief valve shall be accessible for maintenance without removing the device from the line. The Reduced Pressure Principle Backflow Prevention Assembly used for all backflow replacements shall be a ZURN WILKINS Model 375AR.