



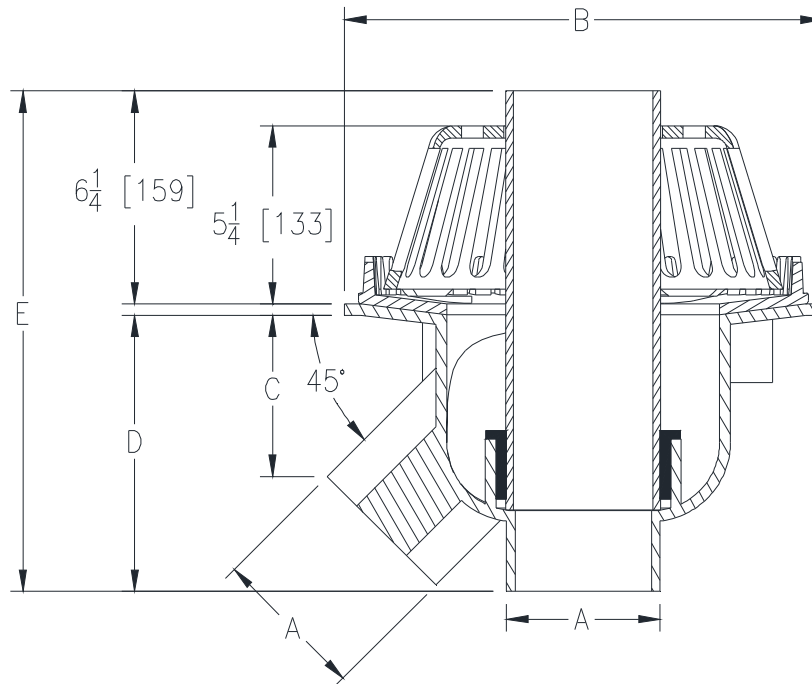
100C FROET DRAIN®

BI-FUNCTIONAL DEEP SUMP DUAL OUTLET ROOF DRAIN WITH DOME

SPECIFICATION SHEET

TAG _____

Dimensional Data (inches and [mm]) are Subject to Manufacturing Tolerances and Change Without Notice



A Pipe Size In. [mm]	B In. [mm]	C In. [mm]	D In. [mm]	E In. [mm]	Approx. Wt. Lbs. [kg]	Dome Open Area Sq. In. [cm ²]
2 [51]	10-1/4 [260]	2-13/16 [71]	5 [127]	11-5/8 [295]	21 [6]	48 [310]
3 [76]	14 [356]	4-7/8 [124]	6-7/8 [175]	13-1/2 [343]	47 [21]	90 [581]
4 [102]	14 [356]	4-7/8 [124]	8 [203]	14-5/8 [371]	53 [24]	90 [581]
5 [127]	18 [457]	5-1/2 [140]	10-1/4 [260]	16-7/8 [429]	83 [38]	127 [819]
6 [152]	18 [457]	5-1/2 [140]	11-1/4 [286]	17-7/8 [454]	89 [40]	127 [819]
8 [203]	25 [635]	8-1/4 [210]	13-3/4 [349]	20-3/8 [518]	122 [55]	203 [1310]

ENGINEERING SPECIFICATION: ZURN 100C Froet Drain®

Froet drain® bi-functional roof drain with 45° primary outlet connection. Powder coated cast iron† deep sump body with combination membrane flashing clamp/gravel guard, overflow pipe (2", 3", 4", 5", 6", 8" [51mm, 76mm, 102mm, 127mm, 152mm, 203mm]) with standard 5-1/4" [133mm] high cast iron dome and 6-1/4" [159mm] high cast iron overflow.

OPTIONS (Check/specify appropriate options)

PIPE SIZE

2, 3, 4, 5, 6, 8† [51, 76, 102, 127, 152, 203]

(Specify size) **OUTLET**

_____ NH No-Hub

PREFIXES

_____ Z D.C.C.I. Body w/ Cast Iron Dome*

SUFFIXES

_____C	Underdeck Clamp	_____ER2	Elevation Ring (2" Insulation)**
_____CFW	Control Flow Weir**	_____LP	Low Profile Dome
_____DP	Top-Set® Deck Plate (2-1/4" Elevation)	_____R	Roof Sump Receiver
_____DU	Cast Iron Dome on Overflow Pipe	_____ULP	Ultra Low Profile Dome**
_____E	Static Extension (2", 4", 6")**	_____VEP	Vent Pipe (6" only)
_____ER1.5	Elevation Ring (1.5" Insulation)**	_____84	Stainless Steel Perforated Gravel Guard**

* Regularly furnished unless otherwise specified.

** Not available on 2" [51] pipe size

† Cast Aluminum Sump

Zurn Industries, LLC | Specification Drainage Operation
1801 Pittsburgh Avenue, Erie, PA U.S.A. 16502 · Ph. 855-663-9876, Fax 814-454-7929
In Canada | Zurn Industries Limited
3544 Nashua Drive, Mississauga, Ontario L4V 1L2 · Ph. 905-405-8272, Fax 905-405-1292
www.zurn.com

Rev. E
Date: 03/28/2019
C.N. No. 141167
Prod. | Dwg. No. FROET 100C